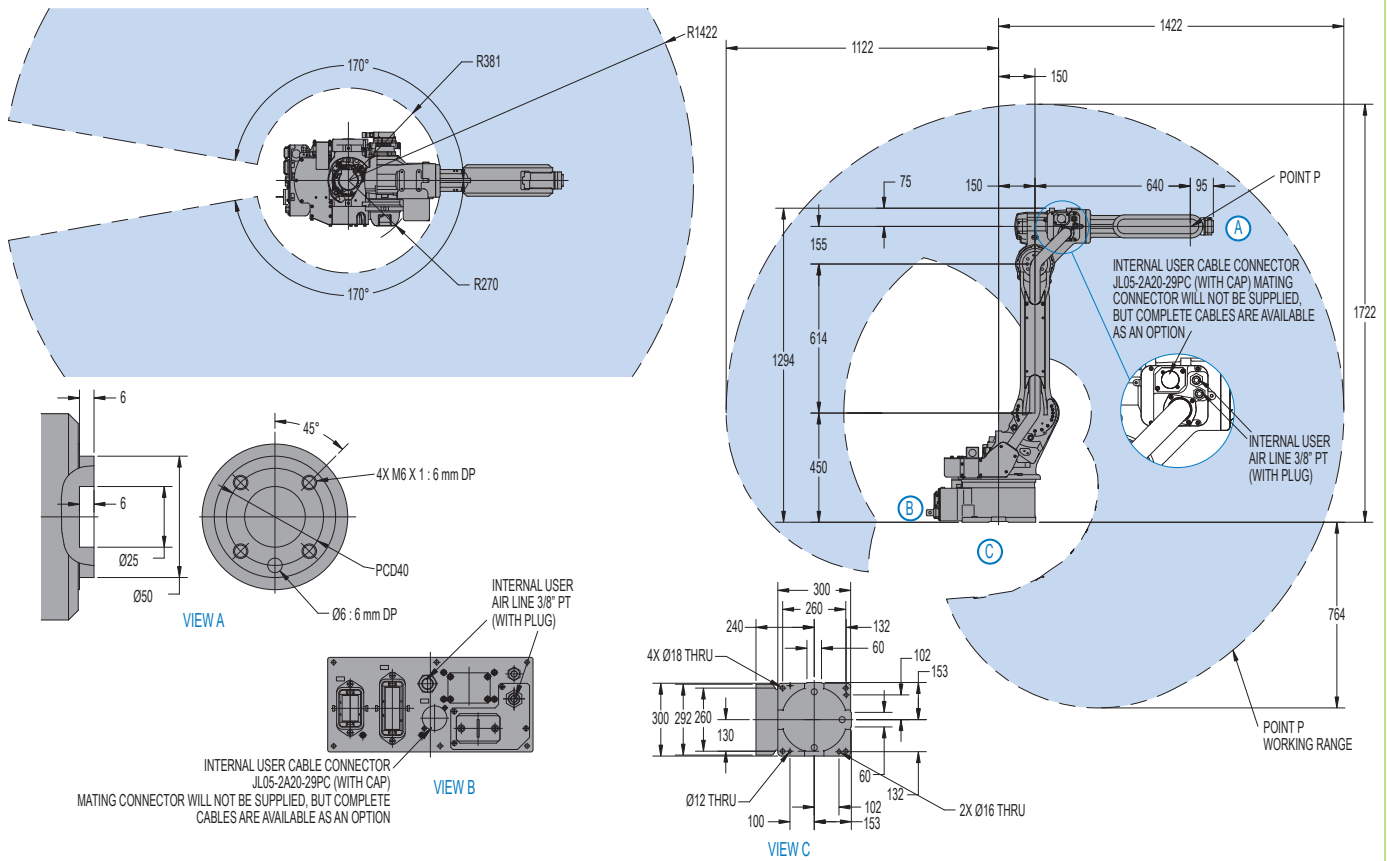




# MH6F | MH6F-10 ROBOTS



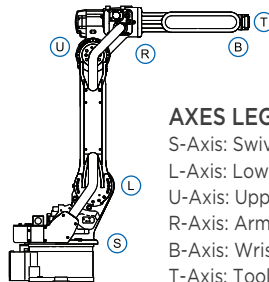
All dimensions are metric (mm) and for reference only.  
Request detailed drawings for all design/engineering requirements.

## SPECIFICATIONS: MH6F | MH6F 10

Axes	Maximum motion range [°]		Maximum speed [°/sec.]		Allowable moment [N•m]		Allowable moment of inertia [kg•m <sup>2</sup> ]		Controlled axes	MH6F	MH6F-10
	MH6F	MH6F-10	MH6F	MH6F-10	MH6F	MH6F-10	MH6F	MH6F-10			
S	±170	±170	220	140	-	-	-	-	6	6	6
L	+155/-90	+155/-90	200	130	-	-	-	-	6	10	10
U	+250/-175	+250/-175	220	135	-	-	-	-	±0.08	±0.08	±0.08
R	±180	±180	410	270	11.8	12.2	0.27	0.24	1,422	1,422	1,422
B	+225/-45	+225/-45	410	270	9.8	14.2	0.27	0.21	2,486	2,486	2,486
T	±360	±360	610	400	5.9	7.3	0.06	0.06	130	130	130
									Power supply, average [kVA]	1.5	1.5
									Internal I/O cable [conductors w/ ground]	17	17
									Internal air line [connections]	(2) 3/8"	(2) 3/8"

## OPTIONS

- Extended length manipulator cables
- Robot risers and base plates
- Wide variety of fieldbus cards
- Vision systems
- Robot base and upper arm I/O cables



**AXES LEGEND**  
 S-Axis: Swivel Base  
 L-Axis: Lower Arm  
 U-Axis: Upper Arm  
 R-Axis: Arm Roll  
 B-Axis: Wrist Bend  
 T-Axis: Tool Flange

Yaskawa America, Inc.  
Motoman Robotics Division

100 Automation Way  
 Miamisburg, OH 45342  
 Tel: 937.847.6200  
 Fax: 937.847.6277

[motoman.com](http://motoman.com)

[www.FDUELHY.co](http://www.FDUELHY.co)

TECHNICAL SPECIFICATIONS SUBJECT TO CHANGE WITHOUT NOTICE  
 DS-667 ©2017 YASKAWA AMERICA, INC. FEBRUARY 2017

**Carbines**  
ENGINEERING LTD.

TEL: +64 9 826 0580  
 7 +64 9 826 0580  
 Freephone: 0800 375566  
 E: sales@carbines.co.nz  
 www.autoline.net.nz  
 www.carbines.co.nz