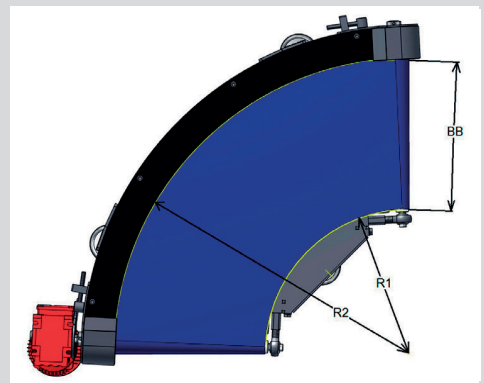
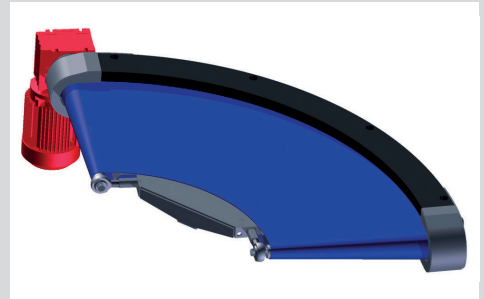
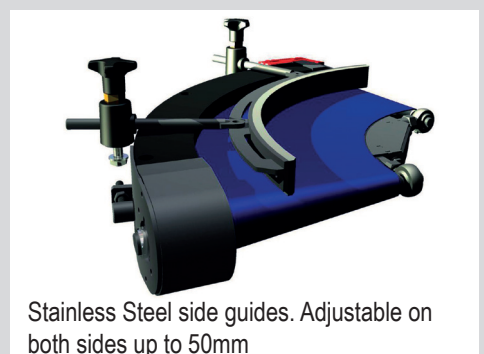


COMPACT 90° STAINLESS STEEL BELT CONVEYOR BEND

BELT WIDTH	200mm	300mm	400mm
INNER RADIUS	200mm	250mm	300mm
OUTER RADIUS	400mm	550mm	700mm
WORKING HEIGHT	400-1100mm From floor to top of conveyor Adjustable in height +50mm Fitted with support feet		
BELT SPEED	V = 10M/min, 15M/min or 20M/min Other belt speed on request in clockwise or anti-clockwise		
BELT TYPE	PU-belt, 2-layers, anti-static, colour blue, food grade and plastic wheels with stainless steel bearings		
STANDARD TRANSFER	ø37mm measured at the centre ø 22mm inner radius and ø 50mm outer radius		
DRIVE	SEW Motor WA20 Series		
FINISH	Framework fabricated from stainless, glass bead blasted and fitted with black plastic belt guide		



Optional side guides



Stainless Steel side guides. Adjustable on both sides up to 50mm